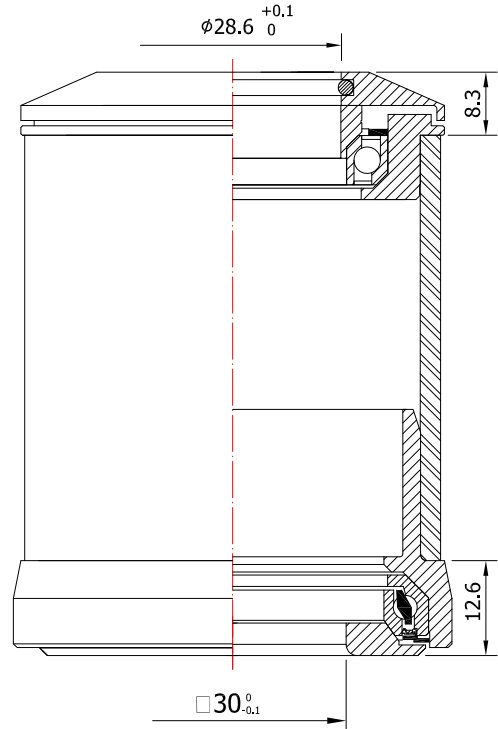
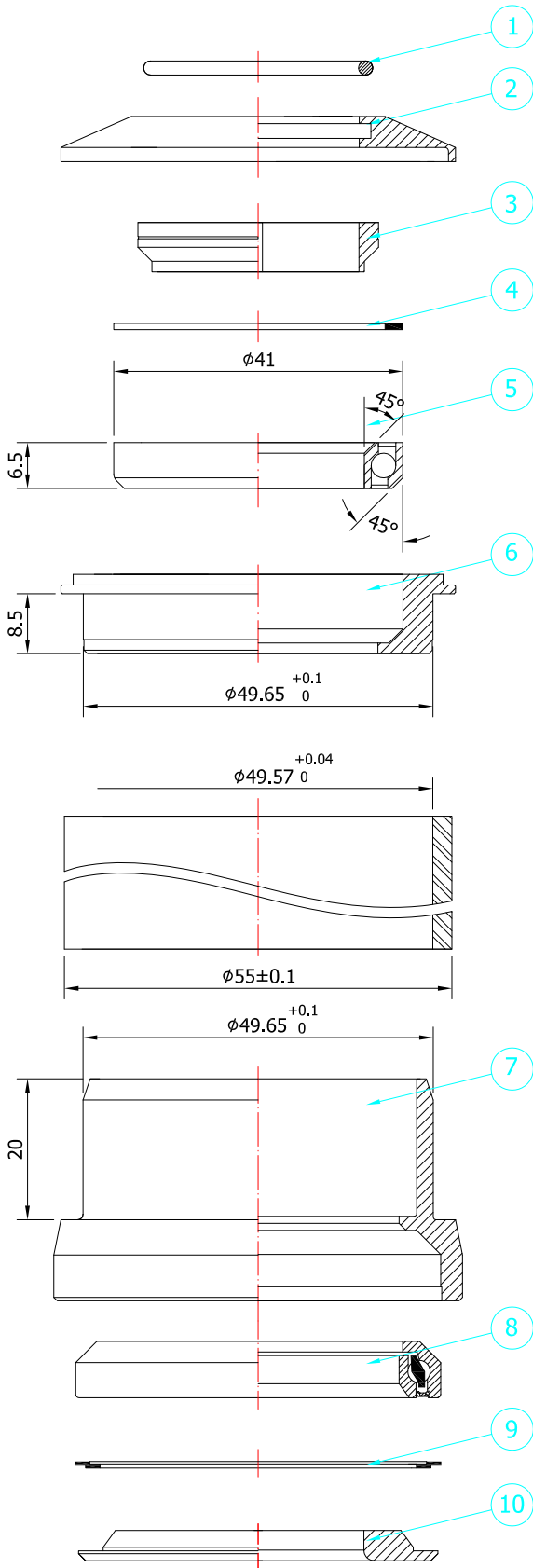


TOKEN HEADSET TECHNICAL MANUAL

TK154R2

OnePointFive Headset



Stack Height: 8.3+12.6=20.9mm

- Headtube OD: 55mm
- Fork Steerer: 1-1/8"
- Insertion: 8.5mm/20mm
- Bearing: Sealed Bearing

SHIS code: ZS49/28.6 | EC49/30

No.	Item	Material	Drawing	Q'ty
1	O-Ring	NBR-70	A1-8	1
2	Top Cover	Alloy	037B-3	1
3	Compression Ring	Alloy	A3-2	1
4	Water Seal	Plastic	A263	1
5	Sealed Bearing	Steel	ACB41	1
6	Upper Cup	Alloy	037B-4	1
7	Lower Cup	Alloy	154R-5	1
8	Sealed Bearing	Steel	518B	1
9	Water Seal	Plastic	M52	1
10	Crown Race	Alloy	A8R-6	1

Unit: mm

Scale: 1:1

Version: A