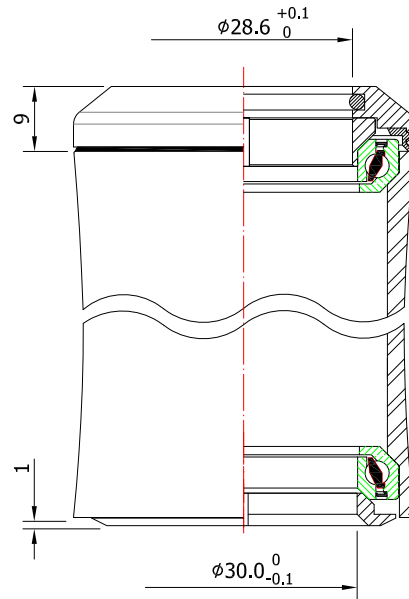
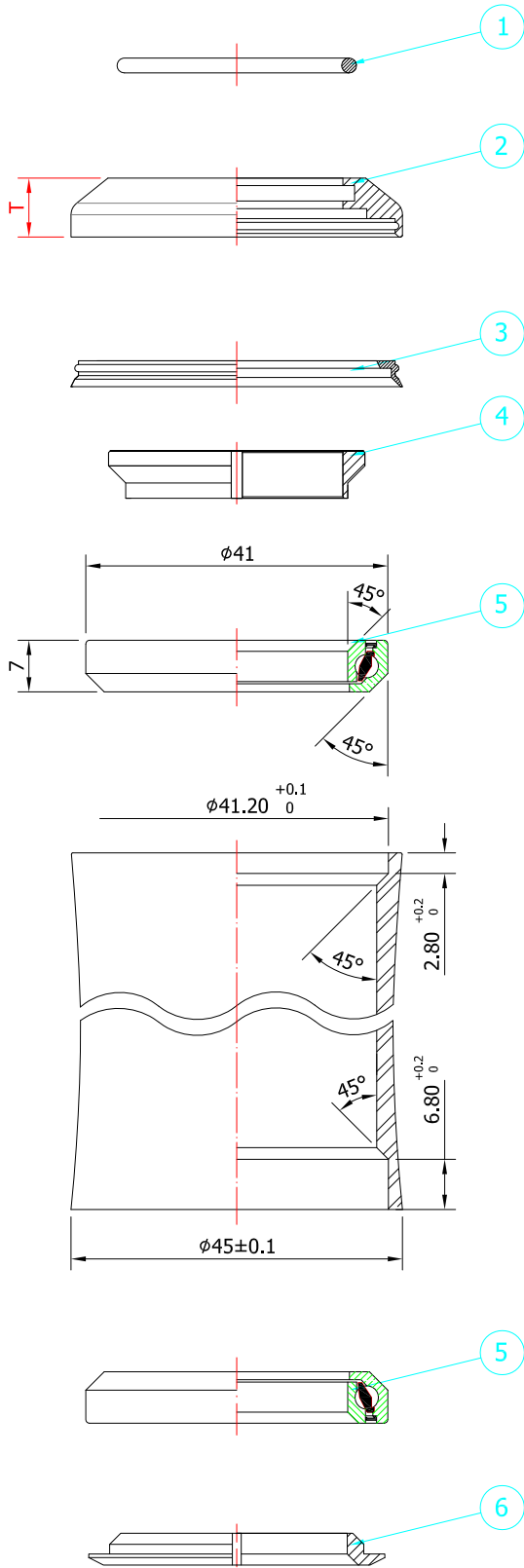


TOKEN HEADSET TECHNICAL MANUAL

C1-TBT

1-1/8" Carbon Integrated Headset



Stack Height: 9+1=10mm

- Headtube OD: 45mm
- Fork Steerer: 1-1/8"
- Bearing: TBT Bearing

Custom cone spacer

Model No.	T	Stack Height
C1-TBT	8mm	10mm
C1-TBT-15	13mm	15mm
C1-TBT-20	18mm	20mm
C1-TBT-25	23mm	25mm
C1-TBT-30	28mm	30mm

SHIS code: IS41/28.6 | IS41/30

No.	Item	Material	Drawing	Q'ty
1	O-Ring	NBR-70	A1-8	1
2	Top Cover	Carbon	C1-3	1
3	Water Seal	NBR-70	A1-9	1
4	Compression Ring	Alloy	A1-2	1
5	TBT Bearing	TBT	410ATC	2
6	Crown Race	Alloy	A1-6	1

Unit: mm

Scale: 1:1

Version: A
2016.04.07