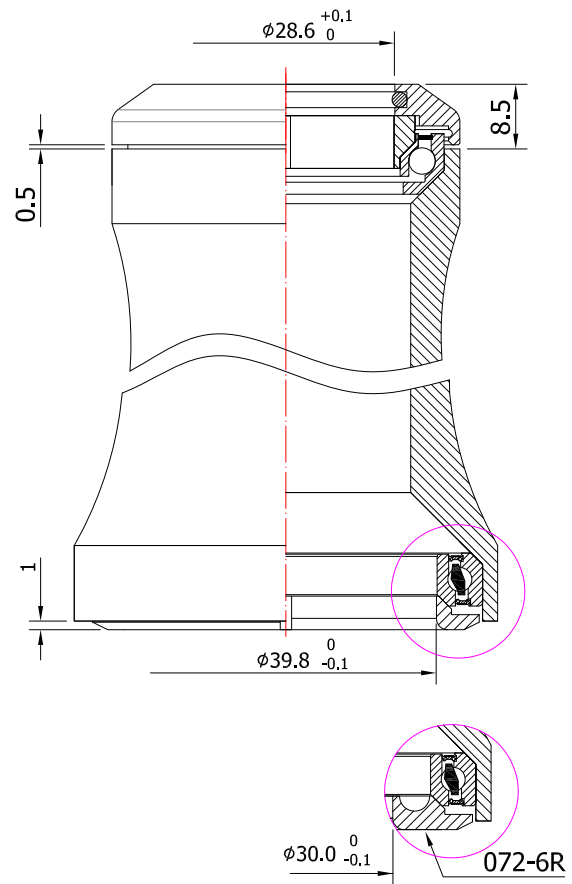
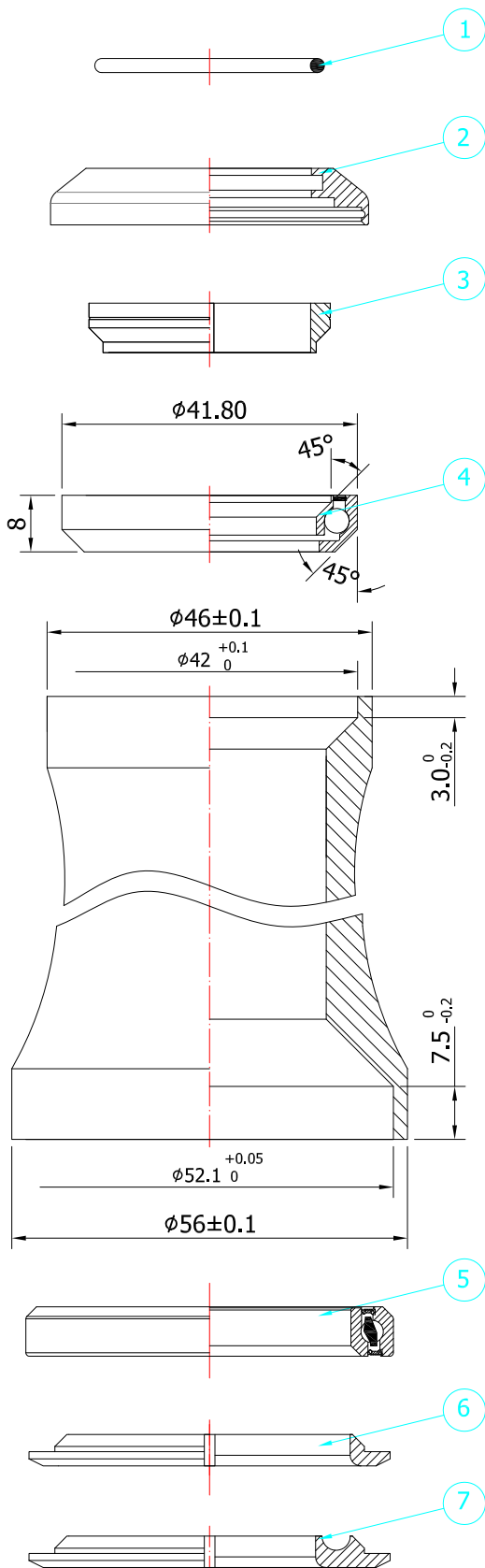


TOKEN HEADSET TECHNICAL MANUAL

C83-TBT

1-1/8"+1.5" Carbon Taper Integrated Headset



Stack Height: 8.5+1=9.5mm

- Headtube OD: Taper 46mm/56mm
- Fork Steerer: Taper 1-1/8" to 1.5"
- Bearing: TBT Bearing

SHIS code: IS42/28.6 | IS52/40

SHIS code: IS42/28.6 | IS52/30

No.	Item	Material	Drawing	Q'ty
1	O-Ring	NBR-70	A1-8	1
2	Top Cover	Carbon	C3-3	1
3	Compression Ring	Alloy	A3-2	1
4	TBT Bearing	TBT	418CATC	1
5	TBT Bearing	TBT	ACB52H7-TC	1
6	1.5" Crown Race	Alloy	072-6	1
7	1-1/8" Crown Race	Alloy	072-6R	1

Unit: mm

Scale: 1:1

Version: A
2016.04.07