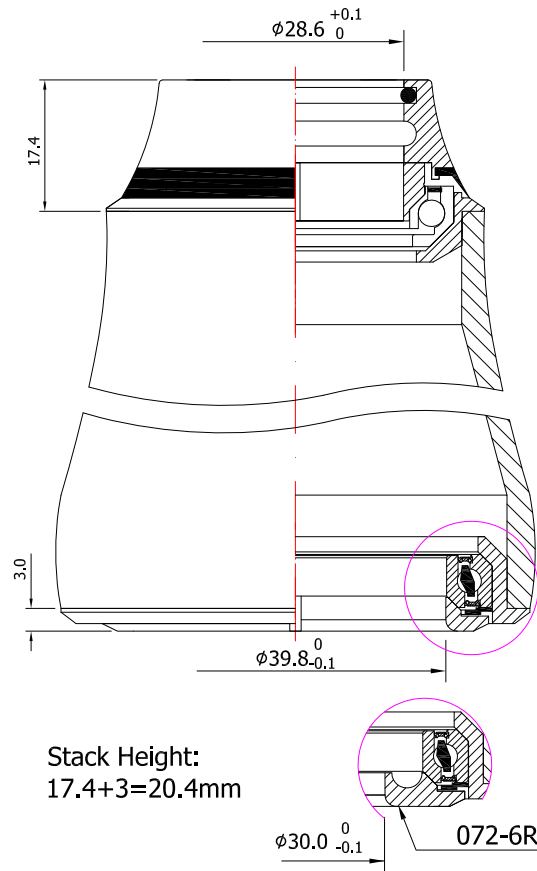
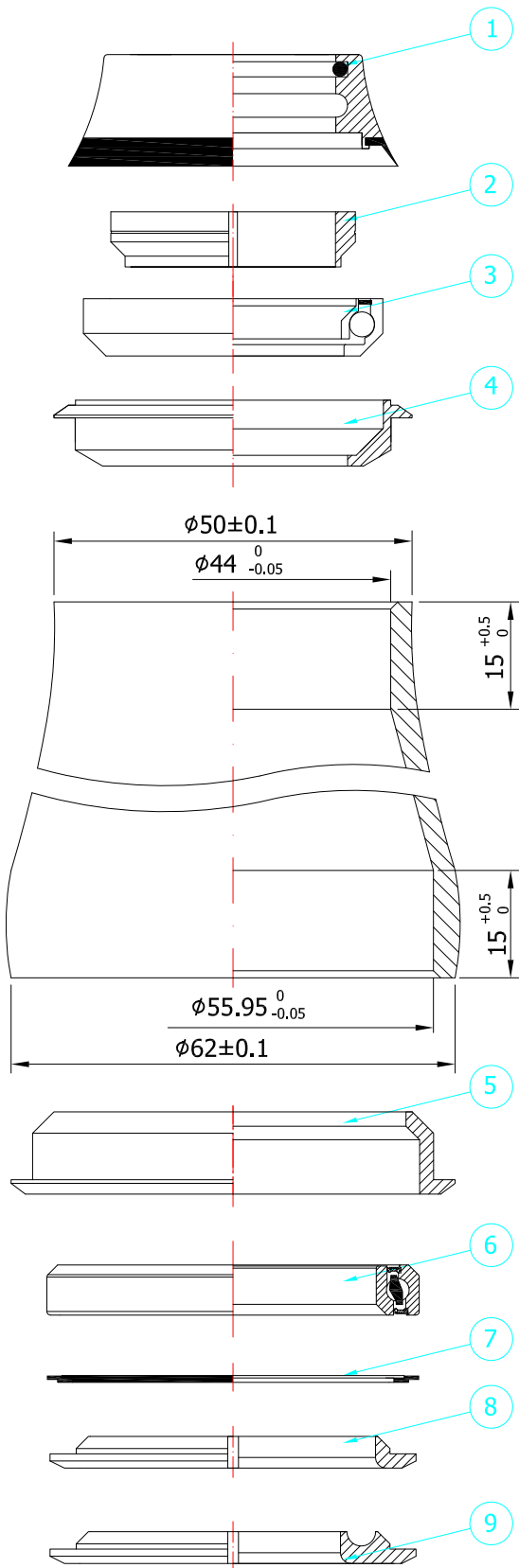


# TOKEN HEADSET TECHNICAL MANUAL

## TK070 (1)

1-1/8" + 1.5" Taper Internal Headset (Semi-Integrated)



Stack Height:  
17.4+3=20.4mm

- Headtube OD: Taper 50/62mm
- Fork Steerer:
  - Taper 1-1/8" to 1.5" (w/072-6 Crown Race)
  - 1-1/8" Steerer (w/072-6R Crown Race)
- Bearing: Sealed Bearing
- Compatible: Orbit 1.5 ZS, No.57, No.57-1

SHIS code 1: ZS44/28.6 | ZS56/40  
SHIS code 2: ZS44/28.6 | ZS56/30

No.	Item	Material	Drawing	Q'ty
1	Top Cover	Alloy	070-3	1
2	Compression Ring	Alloy	A3-2	1
3	Sealed Bearing	SUJ2	418CA	1
4	Upper Cup	Alloy	070-4	1
5	Lower Cup	Alloy	070-5	1
6	Sealed Bearing	SUJ2	ACB520	1
7	Water Seal	Plastic	M52	1
8	Crown Race 1	Alloy	072-6	1
9	Crown Race 2	Alloy	072-6R	1

Unit: mm

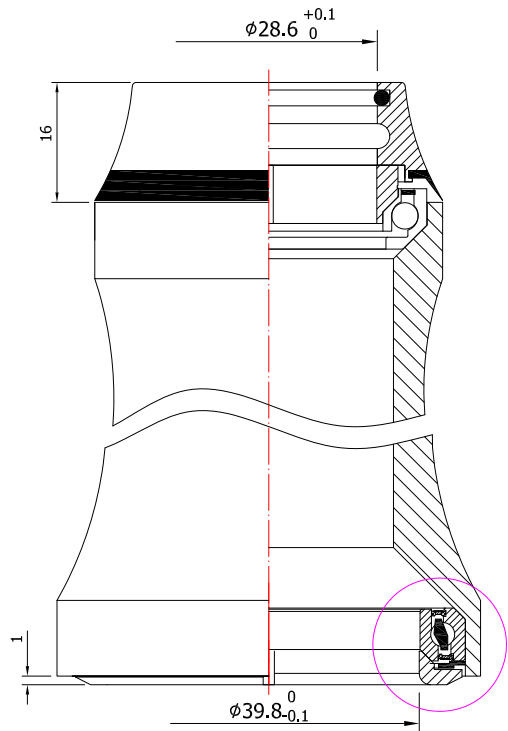
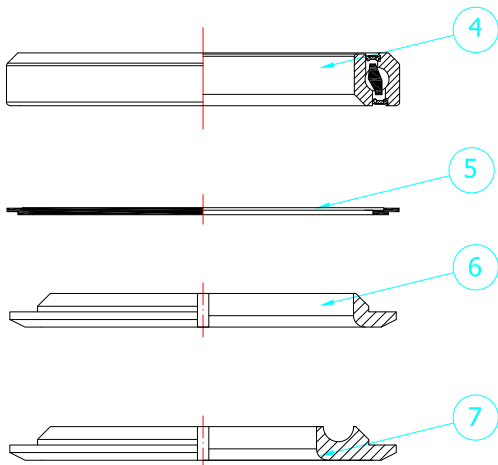
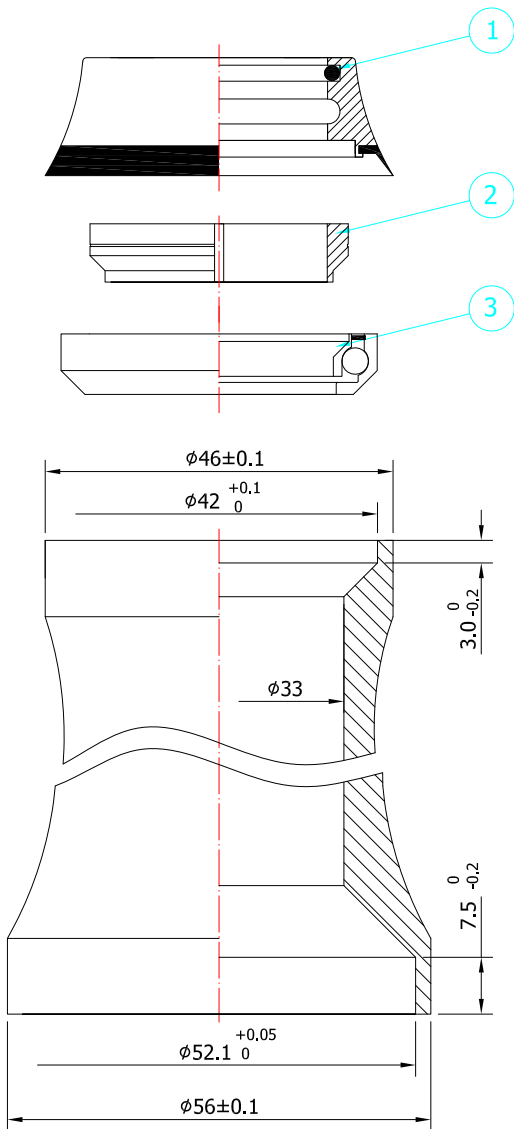
Scale: 1:1

Version: A  
2015.01.16

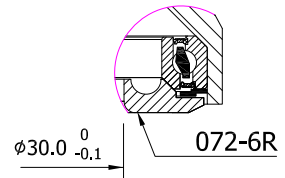
# TOKEN HEADSET TECHNICAL MANUAL

## TK070 (2)

## 1-1/8" + 1.5" Taper Integrated Headset



Stack Height:  
16+1=17mm



- Headtube OD: Taper 46/56mm
- Fork Steerer:
  - Taper 1-1/8" to 1.5" (w/072-6 Crown Race)
  - 1-1/8" Steerer (w/072-6R Crown Race)
- Bearing: Sealed Bearing
- Compatible: No.42/ACB

SHIS code 1: IS42/28.6 | IS52/40

SHIS code 2: IS42/28.6 | IS52/30

No.	Item	Material	Drawing	Q'ty
1	Top Cover	Alloy	070-3	1
2	Compression Ring	Alloy	A3-2	1
3	Sealed Bearing	SUJ2	418CA	1
4	Sealed Bearing	SUJ2	ACB520	1
5	Water Seal	Plastic	M52	1
6	Crown Race 1	Alloy	072-6	1
7	Crown Race 2	Alloy	072-6R	1

Unit: mm

Scale: 1:1

Version: A  
2015.01.16