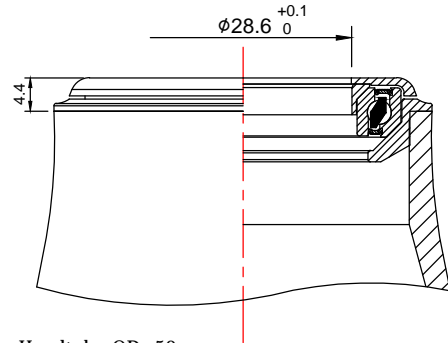
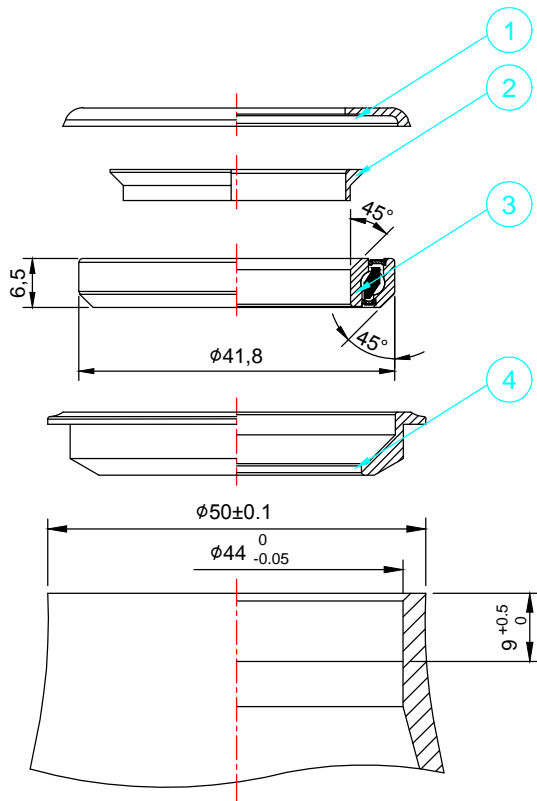


PRO-SET/1 #TK073U-1

1-1/8" Integrated Headset (Semi-Integrated)



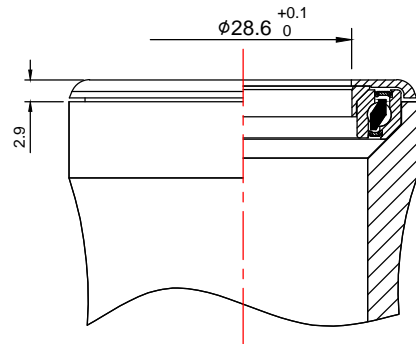
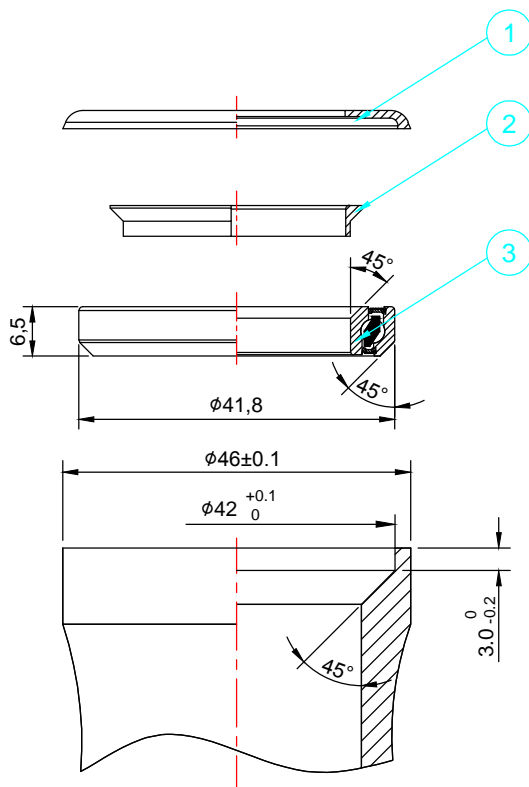
- Headtube OD: 50mm
- Fork Steerer: 1-1/8"
- Bearing: Sealed Bearing
- Compatible: TK011A,TK035A,TK035AR and TK036A

SHIS code: ZS44/28.6

No.	Part	Material	Part No.	Q'ty
1	Top Cover	Alloy	Y073U-3-LTK	1
2	Compression Ring	Alloy	Y073U-2-IBK	1
3	Sealed Bearing	Steel	FSBACB418H6.5	1
4	Upper Cup	Alloy	Y073U-4-IBK	1

PRO-SET/2 #TK073U-2

1-1/8" Integrated Headset



- Headtube OD: 46mm
- Fork Steerer: 1-1/8"
- Bearing: Sealed Bearing
- Compatible: OMEGA-A3,OMEGA-A7,OMEGA-A83 and OMEGA-A83R

SHIS code: IS42/28.6

No.	Part	Material	Part No.	Q'ty
1	Top Cover	Alloy	Y073U-3-LTK	1
2	Compression Ring	Alloy	Y073U-2-IBK	1
3	Sealed Bearing	Steel	FSBACB418H6.5	1

Unit: mm

Scale: 1:1

Version: A
2017.11.29